

CATEGORY	DESCRIPTION	P/N #
CONNECTOR	RJ45 Over USB, R/A, W/USB	MU460R-211X0-0010

△AOZ 原料號2MU21R-02AX0-00
變更號MU460R-211X0-0010

REV.	ECN NO	DESCRIPTION	REVISED	DATE
A1	---	新訂圖面	XSY	2008.07.23
A02	ECN090810008	修正圖面, 變更料號	Luguan	2009.08.10

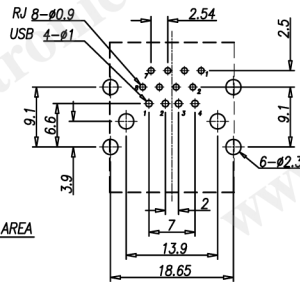
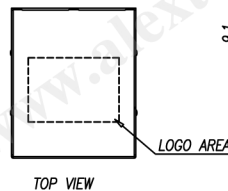
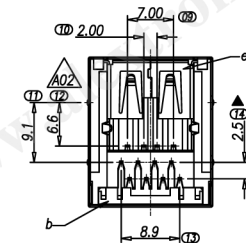
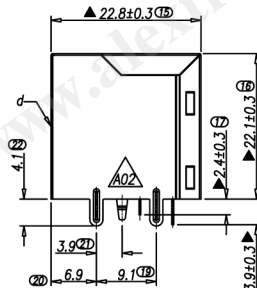
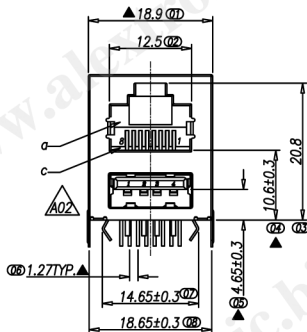
SPECIFICATIONS:

1.RJ ELECTRICAL CHARACTERISTICS

- 1-1: VOLTAGE: 150V AC RMS
- 1-2: CURRENT RATING: 1.5A
- 1-3: CONTACT RESISTANCE: 30mΩ MAX.
- 1-4: INSULATION RESISTANCE: 500MΩ MIN.
- 1-5: DIELECTRIC WITHSTANG VOLTAGE : 1000V AC
- 1-6: OPERATURE TEMPERATURE: -40°C~80°C
- 1-7: DURABILITY: 500 MATING CYCLES MIN.

2.USB ELECTRICAL CHARACTERISTICS

- 2-1: VOLTAGE: 30V AC RMS
- 2-2: CURRENT RATING: 1.5A
- 2-3: CONTACT RESISTANCE: 30mΩ MAX.
- 2-4: DIELECTRIC WITHSTANG VOLTAGE: 500V AC
- 2-5: INSULATION RESISTANCE: 1000MΩ MIN.
- 2-6: OPERATURE TEMPERATURE: -55°C~85°C
- 2-7: DURABILITY: 1500 MATING CYCLES
- 2-8: "▲" IS IMPORTANT DIMENSIONS



Recommend PCB Layout
(Jack Top View)

Tolerance: ±0.05mm

Recommend PCB Thickness: 1.6mm

MU460R-211X0-0010

Material & Plating

X	RJ Terminal Plating
1	半鍍金 1u"
4	全鍍金
5	半鍍金 6u"

Table 1

PART NUMBER	Plating
1M0-MU4501-00	全鍍金
1M0-MU4501-D1	半鍍金 1u"
1M0-MU4501-D2	半鍍金 6u"

e	USB	1	2UB142-FBD20-00	Terminal: Brass C2680, T=0.25mm, Plating: 半鍍金 1u" Housing: PBT4830 UL94V-0, Color: Black Shell: Brass C2680, T=0.3mm, Plating: Ni 50u" MIN.		
d	SHIELDING	1	1SH-MU4500-10	Template T=0.25mm		
c	RJ INSERT	1	See Table 1	Terminal: Phosphor Bronze C5191, T=0.3mm, Plating: See Table 1 Housing: PBT4830 UL94V-0, Color: Black		
b	COVER	1	1HS-MU4500-00	PBT4830 UL94V-0	Black	
a	HOUSING	1	1HS-MU4065-00	PBT4830 UL94V-0	Black	
No.	PART NAME	Q'TY	PART NUMBER	MATERIAL	PLATING & COLOR	REMARK

UNLESS OTHERWISE SPECIFIED TOLERANCES

DECIMALS: X :±0.3
X.X :±0.2
X.XX :±0.1
X.XXX :±0.05

ANGLES: X :±1°
X.X :±0.5°
X.XX :±0.1°
X.XXX :±0.05°

Product Drawing			
ALEXTRONIC			
SCALE: 1/1	UNIT: mm	DWG. NO: WI-061-162	
SIZE: A3	PAGE: 1 OF 1	REV: A02	
APPROVED BY	CHECKED BY	PREPARED BY	
WYX	Pengjie	Luguan	
ENGINEERING COPY			